

系统互联方案解决专家
Leading provider of systematic Interconnection solution.

“科技领先，优质高效”是公司的质量方针
Our Quality Policy –
"Leading Technology, High Quality & Efficiency"

“创新、务实”是公司的经营理念
Our Business Philosophy -- "Pragmatic and Innovative"

“顾客至上，遵信守约”是艾力特人对您的承诺
Our Commitment -- "Customer Oriented, Integrity First"

优选产品手册

Optimal Product Brochure

科技领先 优质高效

西安艾力特电子实业有限公司
Xi'an Elite Electronic Industrial Co., Ltd.

Tel: 86 (0)29-85955820 Wechat/Weixin: selinashiyinxia
Mob/Whatsapp: 86 13609167652 Skype: ELT(Elite)
Web: www.xa-elite.com.cn www.rf-coaxialconnector.com
E-mail: vip@xa-elite.com.cn Store: xaelite.en.alibaba.com

Address: No.1068 Runfeng Road, Chang 'an Communication
Industrial Park, High-Tech Zone, Xi 'an 710114, Shaanxi, China

www.xa-elite.com.cn

理解源于长期交流

可靠源于紧密连接

ELITE • ELECTRONIC

目录 Contents

RF Coaxial Matching Load

| | | |
|------------------|-------|---|
| SMA Series | | 1 |
| SSMA Series | | 2 |
| K Series | | 2 |
| TNC Series | | 2 |
| TNCA Series | | 3 |
| N Series | | 3 |
| SMP Series | | 3 |
| SSMP Series | | 4 |
| CSMP Series | | 5 |
| SOSMA Series | | 5 |
| Micro-strip Type | | 5 |

Coaxial Fixed Attenuator

| | | |
|-------------|-------|---|
| SMA Series | | 7 |
| SSMA Series | | 7 |
| K Series | | 7 |

Waveguide to Coaxial Adapters

| | | |
|--------------|-------|----|
| SMA Series | | 9 |
| K Series | | 13 |
| 2.4 Series | | 16 |
| 1.85 Series | | 17 |
| 1.0 Series | | 19 |
| Other Series | | 21 |

| | | |
|-----------------------|-------|----|
| Rotary Joint Products | | 23 |
|-----------------------|-------|----|

Introduction



The frequency of waveguide to coaxial adapters designed and produced by Elite Electronic covers 5.4GHz-110GHz. It has the characteristics of high reliability, small size and excellent performance, and is widely used in microwave measurement and millimeter wave equipment.

The waveguide ports include standard rectangular and double-ridged waveguide ports, and non-standard waveguide ports can also be customized according to user needs.

The coaxial end connection interface includes N, TNC, SMA, SMP, 3.5mm, K(2.92mm), 2.4mm, 1.85mm, 1.0mm and micro-strip type. Waveguide to coaxial adapters are divided into two types: end launch and right angle type in terms of structure. Among them, the coaxial waveguide adapter with right angle structure can also be used as a high-power structure.

Naming Rules

X / X (X) - X F X X
 ① ② ③ ④ ⑤ ⑥ ⑦

- ①—Coaxial connector interface models, such as SMA, N, etc;
- ②—Waveguide port code;
- ③—Environmental sealing mark,
 M—hermetic seal
 S—waterproof
 None—without hermetic/waterproof requirements.
- ④—Form of central contact of coaxial connector, pin-J, socket-K;
- ⑤—F represents the installation of waveguide end flange;
- ⑥—Unmarked represents the Right Angle form, and E represents the End Launch form;
- ⑦—Design serial number, counting from 2, 1 disabled.

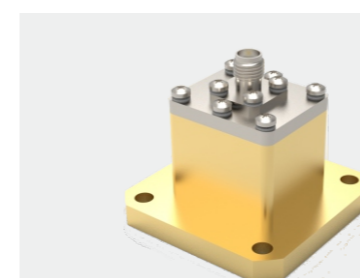
Naming Example:

SMA/BJ140 (S)-KF, indicating that the WG Adapters coaxial interface is SMA, the waveguide interface is BJ140 (WR62), water proof, the center contact of the coaxial connector is a socket, and the waveguide end flange is installed in the Right Angle form.

N/BJ120-JFE2, indicates that the coaxial interface of the WG adapter is N type, and the waveguide interface is BJ120 (WR75), without sealing. The center contact of the coaxial connector is a plug, and the waveguide end flange is installed in the end launch form. The design serial number is 2.

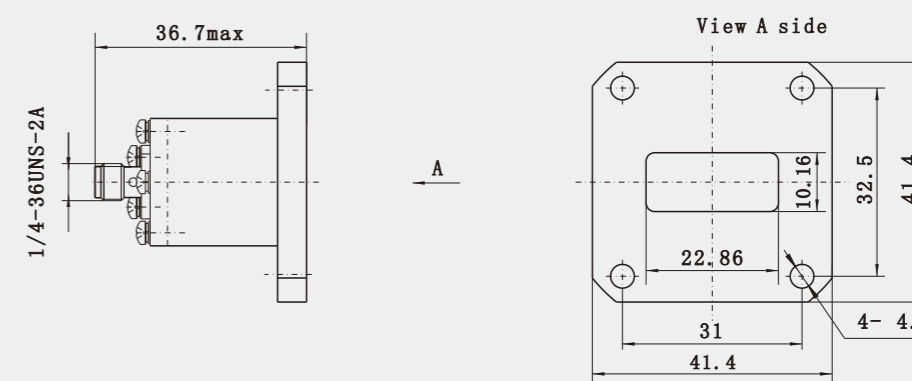
SMA Series

SMA/BJ100-KFE2

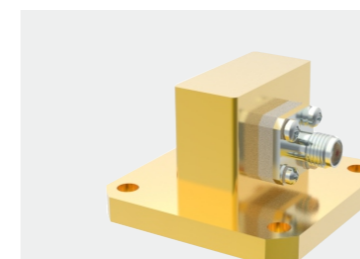


| Model No. | SMA/BJ100-KFE2 |
|-----------------|----------------|
| Waveguide Size | BJ100 (WR90) |
| Frequency Range | 8.2GHz~12.5GHz |
| VSWR | ≤1.25 |
| Insertion Loss | ≤0.2dB |
| Body Geometry | End Launch |

Outline Drawing (mm)

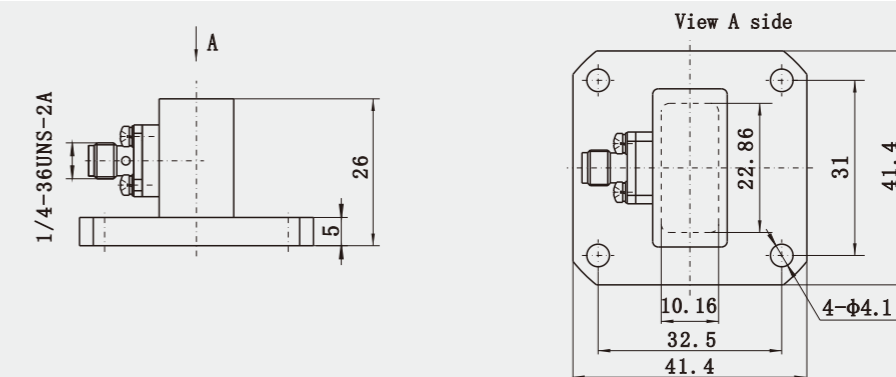


SMA/BJ100-KF6



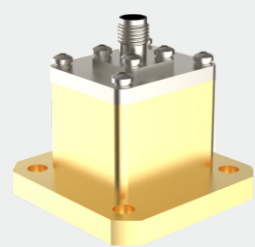
| Model No. | SMA/BJ100-KF6 |
|-----------------|----------------|
| Waveguide Size | BJ100 (WR90) |
| Frequency Range | 8.2GHz~12.5GHz |
| VSWR | ≤1.25 |
| Insertion Loss | ≤0.2dB |
| Body Geometry | Right Angle |

Outline Drawing (mm)

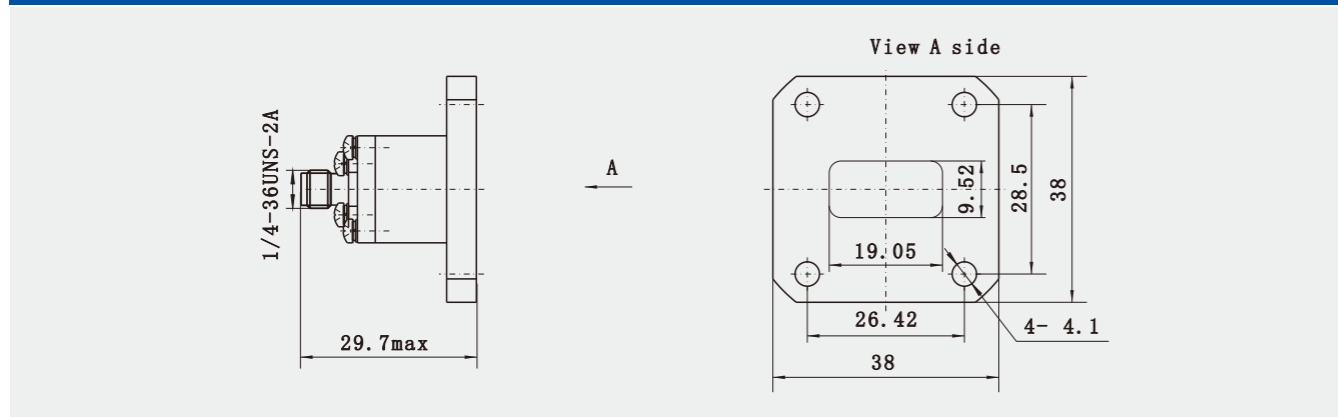


» SMA Series

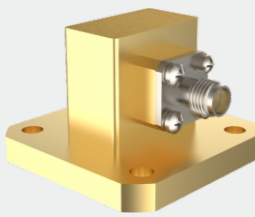
■ SMA/BJ120-KFE

| | | |
|---|-----------------|---------------|
|  | Model No. | SMA/BJ120-KFE |
| | Waveguide Size | BJ120 (WR75) |
| | Frequency Range | 9.84GHz~15GHz |
| | VSWR | ≤1.25 |
| | Insertion Loss | ≤0.2dB |
| | Body Geometry | End Launch |

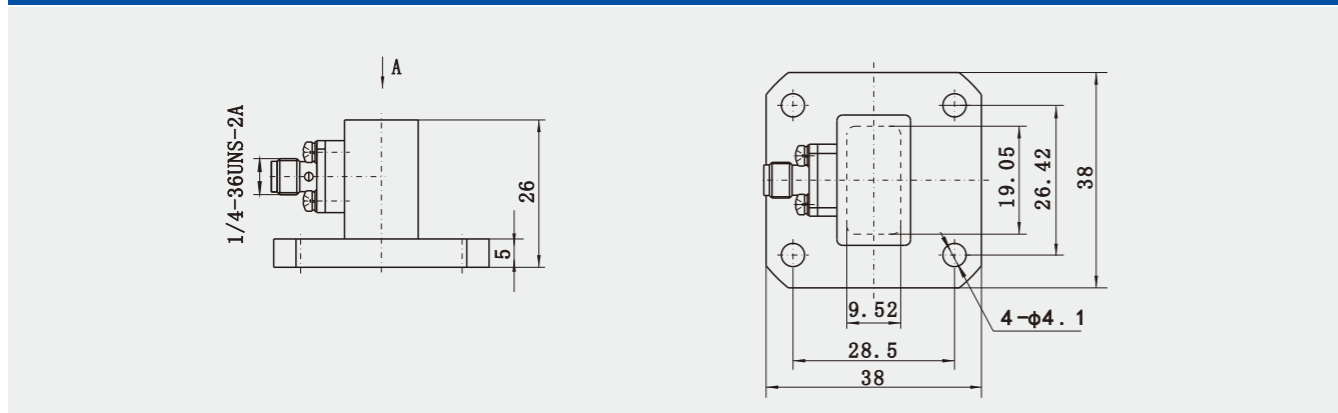
Outline Drawing (mm)



■ SMA/BJ120-KF6

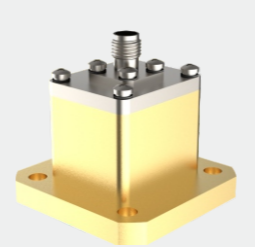
| | | |
|---|-----------------|---------------|
|  | Model No. | SMA/BJ120-KF6 |
| | Waveguide Size | BJ120 (WR75) |
| | Frequency Range | 9.84GHz~15GHz |
| | VSWR | ≤1.25 |
| | Insertion Loss | ≤0.2dB |
| | Body Geometry | Right Angle |

Outline Drawing (mm)

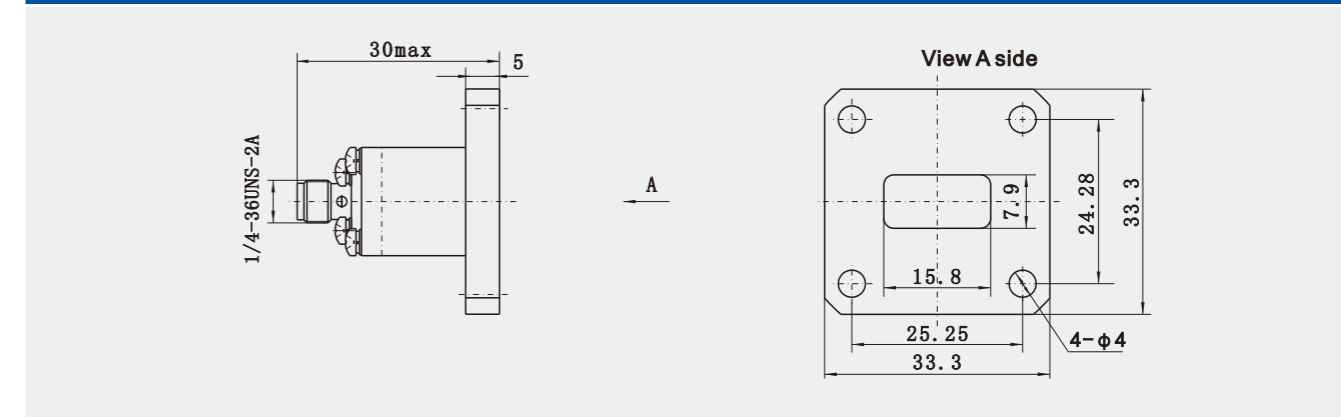


» SMA Series

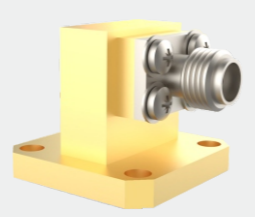
■ SMA/BJ140-KFE

| | | |
|---|-----------------|---------------|
|  | Model No. | SMA/BJ140-KFE |
| | Waveguide Size | BJ140 (WR62) |
| | Frequency Range | 11.9GHz~18GHz |
| | VSWR | ≤1.25 |
| | Insertion Loss | ≤0.2dB |
| | Body Geometry | End Launch |

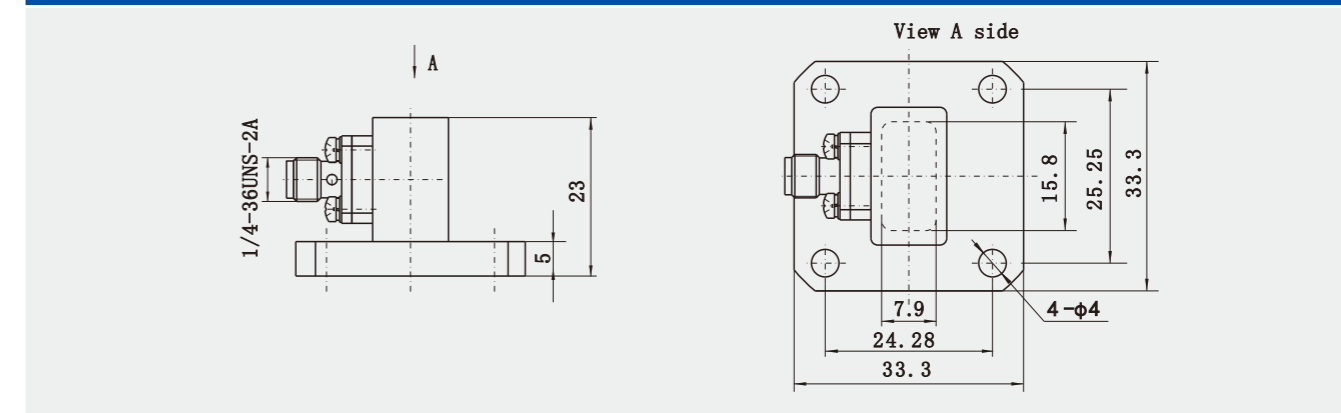
Outline Drawing (mm)



■ SMA/BJ140-KF15

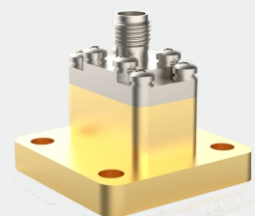
| | | |
|---|-----------------|----------------|
|  | Model No. | SMA/BJ140-KF15 |
| | Waveguide Size | BJ140 (WR62) |
| | Frequency Range | 11.9GHz~18GHz |
| | VSWR | ≤1.25 |
| | Insertion Loss | ≤0.2dB |
| | Body Geometry | Right Angle |

Outline Drawing (mm)

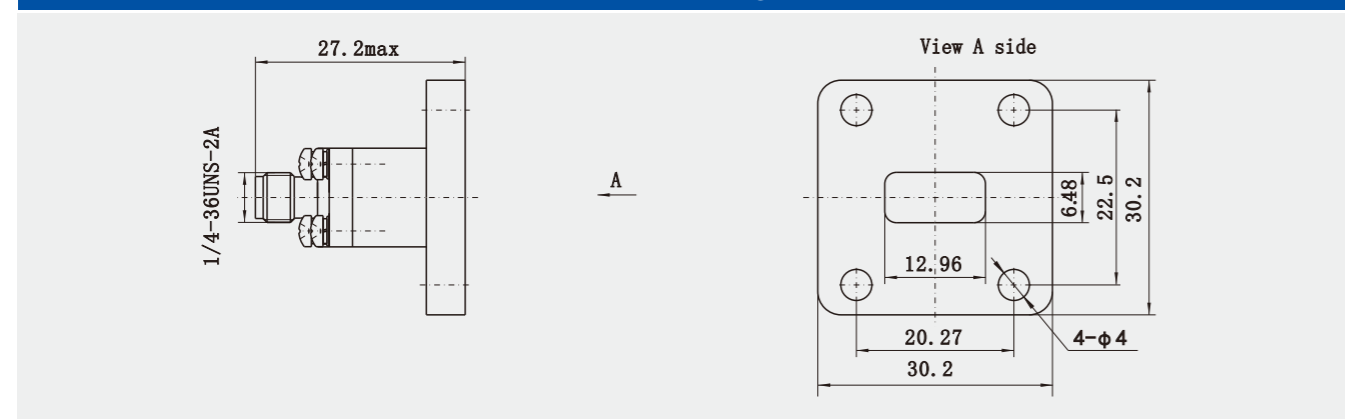


» SMA Series

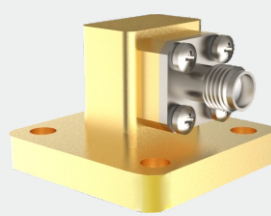
■ SMA/BJ180-KFE5

| | | |
|---|-----------------|----------------|
|  | Model No. | SMA/BJ180-KFE5 |
| | Waveguide Size | BJ180 (WR51) |
| | Frequency Range | 14.5GHz~22GHz |
| | VSWR | ≤1.25 |
| | Insertion Loss | ≤0.2dB |
| | Body Geometry | End Launch |

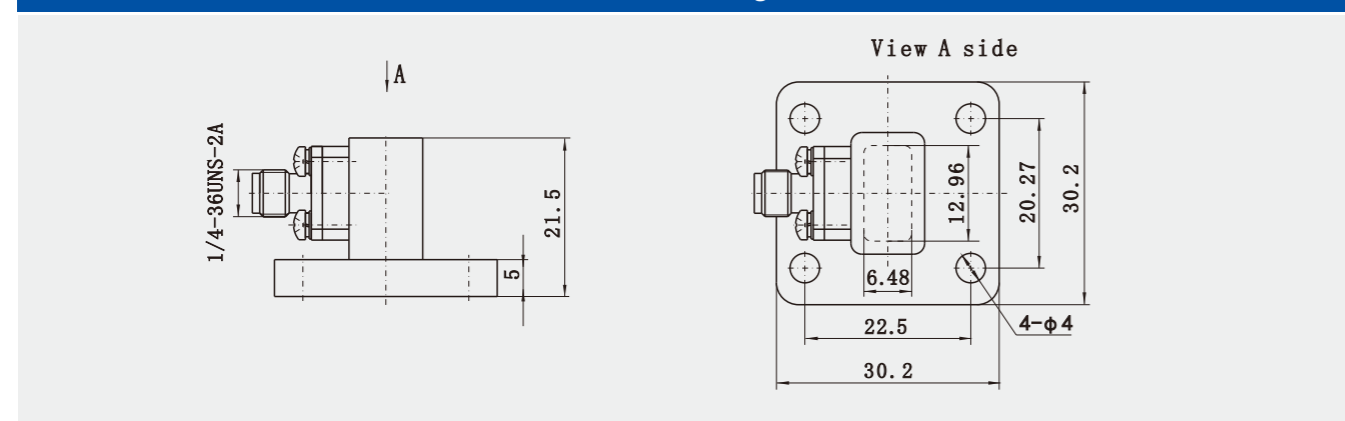
Outline Drawing (mm)



■ SMA/BJ180-KF2

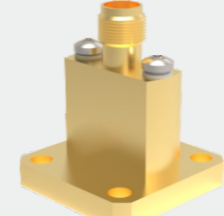
| | | |
|---|-----------------|---------------|
|  | Model No. | SMA/BJ180-KF2 |
| | Waveguide Size | BJ180 (WR51) |
| | Frequency Range | 14.5GHz~22GHz |
| | VSWR | ≤1.25 |
| | Insertion Loss | ≤0.2dB |
| | Body Geometry | Right Angle |

Outline Drawing (mm)

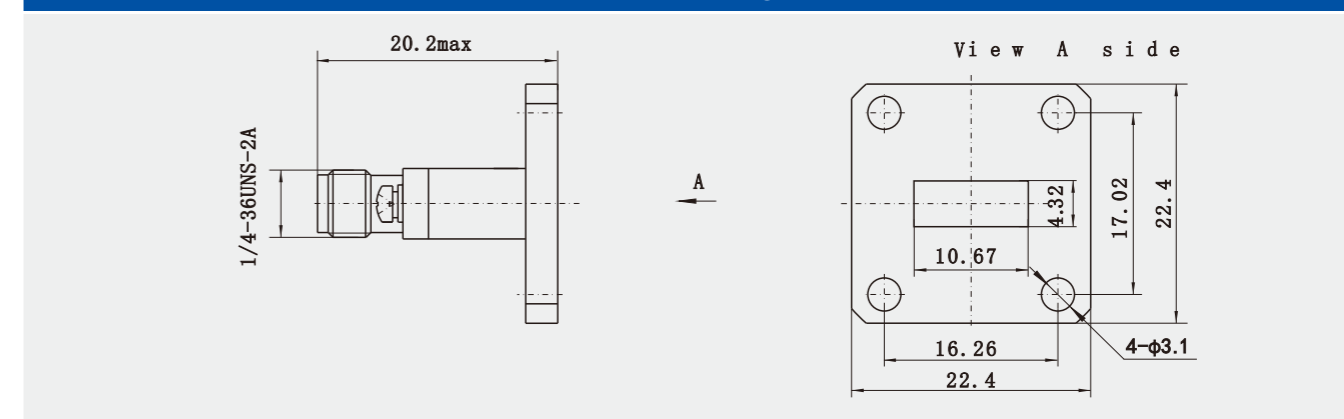


» K Series

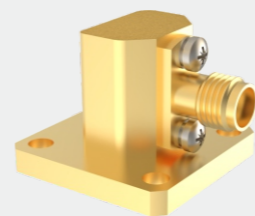
■ K/BJ220-KFE7

| | | |
|---|-----------------|-----------------|
|  | Model No. | K/BJ220-KFE7 |
| | Waveguide Size | BJ220 (WR42) |
| | Frequency Range | 17.6GHz~26.7GHz |
| | VSWR | ≤1.3 |
| | Insertion Loss | ≤0.3dB |
| | Body Geometry | End Launch |

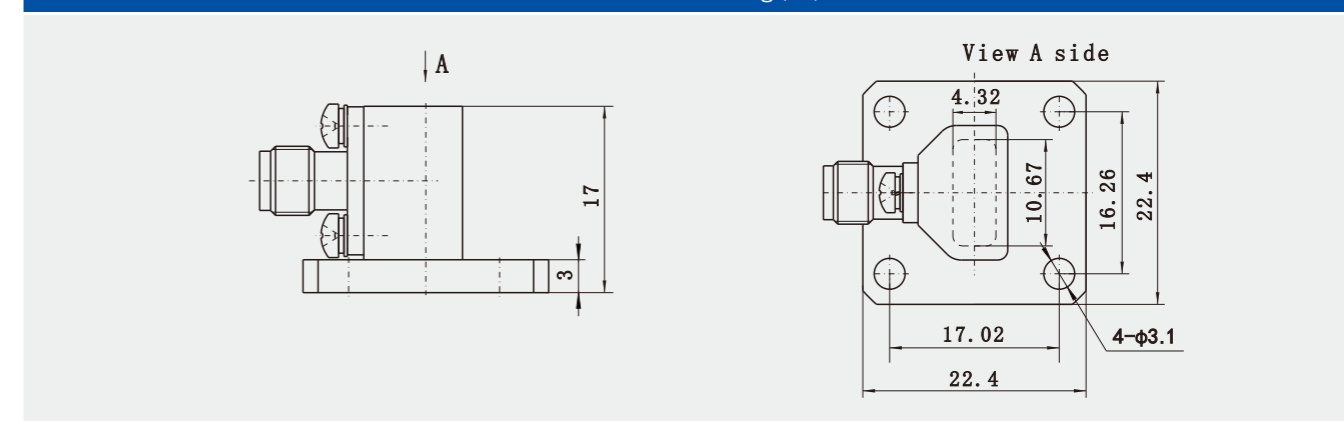
Outline Drawing (mm)



■ K/BJ220-KF6

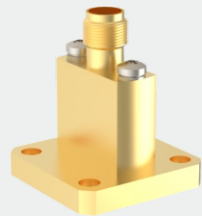
| | | |
|---|-----------------|-----------------|
|  | Model No. | K/BJ220-KF6 |
| | Waveguide Size | BJ220 (WR42) |
| | Frequency Range | 17.6GHz~26.7GHz |
| | VSWR | ≤1.25 |
| | Insertion Loss | ≤0.3dB |
| | Body Geometry | Right Angle |

Outline Drawing (mm)

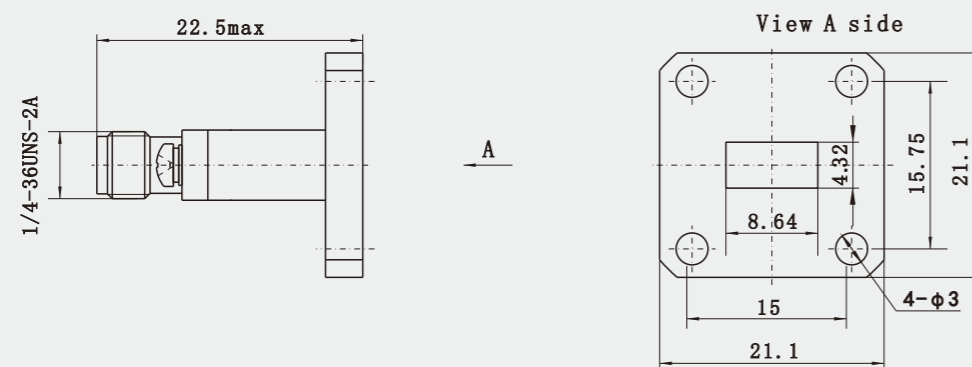


》 K Series

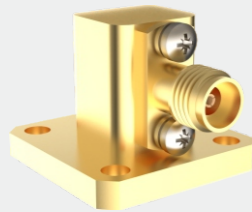
■ K/BJ260-KFE5

| | | |
|---|-----------------|---------------|
|  | Model No. | K/BJ260-KFE5 |
| | Waveguide Size | BJ260 (WR34) |
| | Frequency Range | 21.7GHz~33GHz |
| | VSWR | ≤1.3 |
| | Insertion Loss | ≤0.35dB |
| | Body Geometry | End Launch |

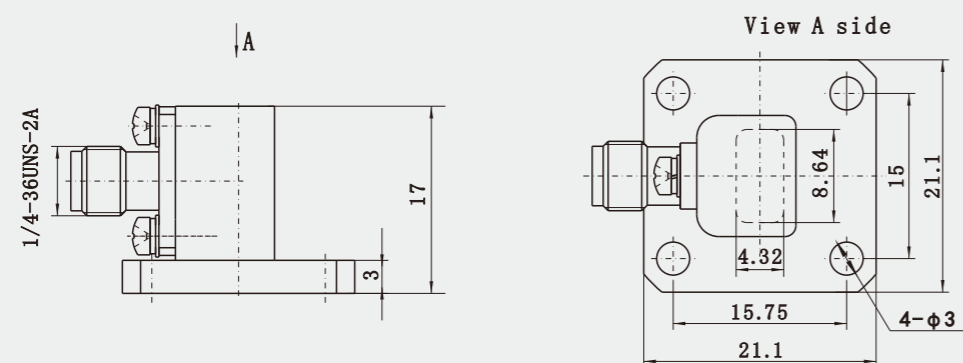
Outline Drawing (mm)



■ K/BJ260-KF8

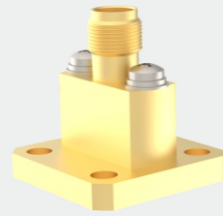
| | | |
|---|-----------------|---------------|
|  | Model No. | K/BJ260-KF8 |
| | Waveguide Size | BJ260 (WR34) |
| | Frequency Range | 21.7GHz~33GHz |
| | VSWR | ≤1.25 |
| | Insertion Loss | ≤0.35dB |
| | Body Geometry | Right Angle |

Outline Drawing (mm)

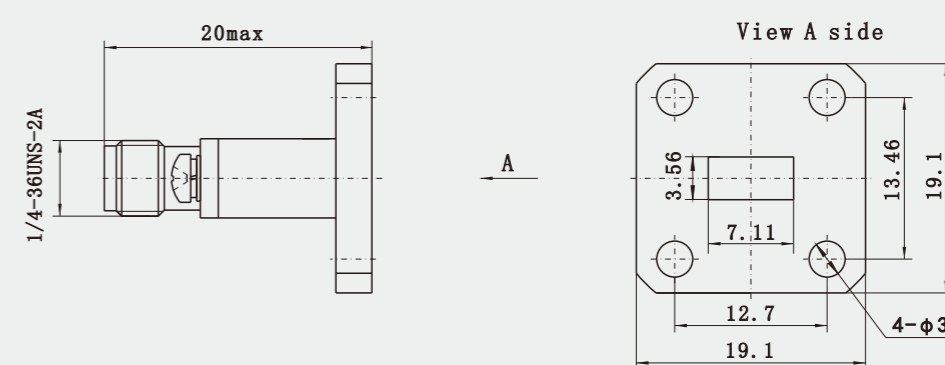


》 K Series

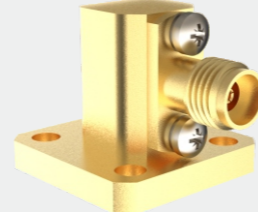
■ K/BJ320-KFE9

| | | |
|---|-----------------|---------------|
|  | Model No. | K/BJ320-KFE9 |
| | Waveguide Size | BJ320 (WR28) |
| | Frequency Range | 26.4GHz~40GHz |
| | VSWR | ≤1.3 |
| | Insertion Loss | ≤0.35dB |
| | Body Geometry | End Launch |

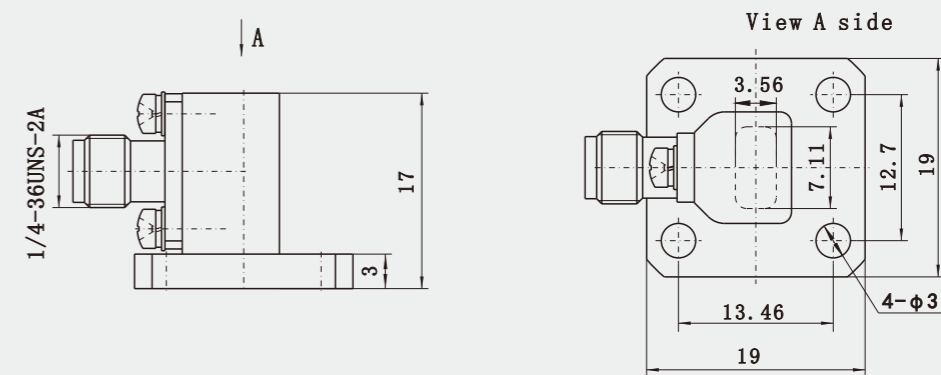
Outline Drawing (mm)



■ K/BJ320-KF22

| | | |
|---|-----------------|---------------|
|  | Model No. | K/BJ320-KF22 |
| | Waveguide Size | BJ320 (WR28) |
| | Frequency Range | 26.4GHz~40GHz |
| | VSWR | ≤1.25 |
| | Insertion Loss | ≤0.35dB |
| | Body Geometry | Right Angle |

Outline Drawing (mm)

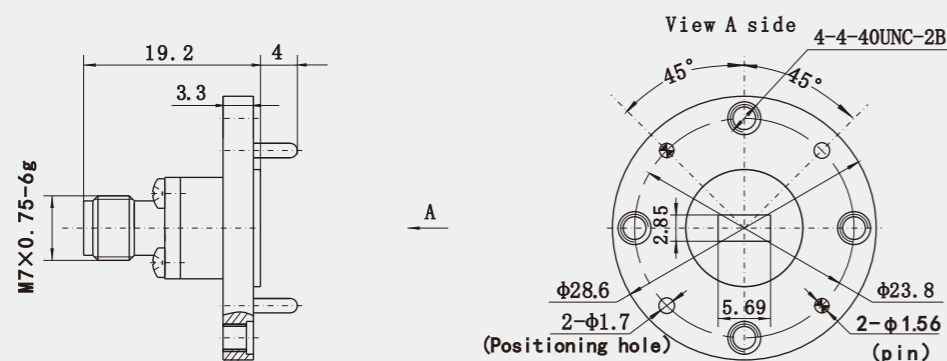


2.4 Series

2.4/BJ400-KFE5

| | |
|-----------------|-----------------|
| Model No. | 2.4/BJ400-KFE5 |
| Waveguide Size | BJ400 (WR22) |
| Frequency Range | 32.9GHz~50.1GHz |
| VSWR | ≤1.4 |
| Insertion Loss | ≤0.45dB |
| Body Geometry | End Launch |

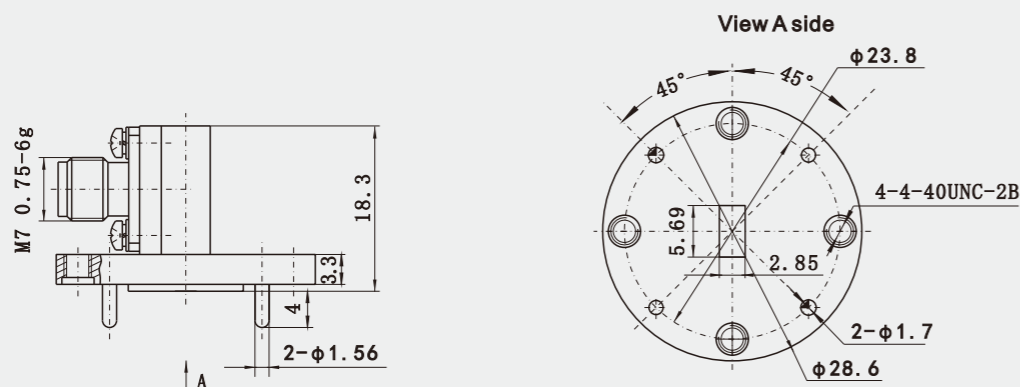
Outline Drawing (mm)



2.4/BJ400-KF4

| | |
|-----------------|---------------|
| Model No. | 2.4/BJ400-KF4 |
| Waveguide Size | BJ400 (WR22) |
| Frequency Range | 32.9GHz~50GHz |
| VSWR | ≤1.35 |
| Insertion Loss | ≤0.45dB |
| Body Geometry | Right Angle |

Outline Drawing (mm)

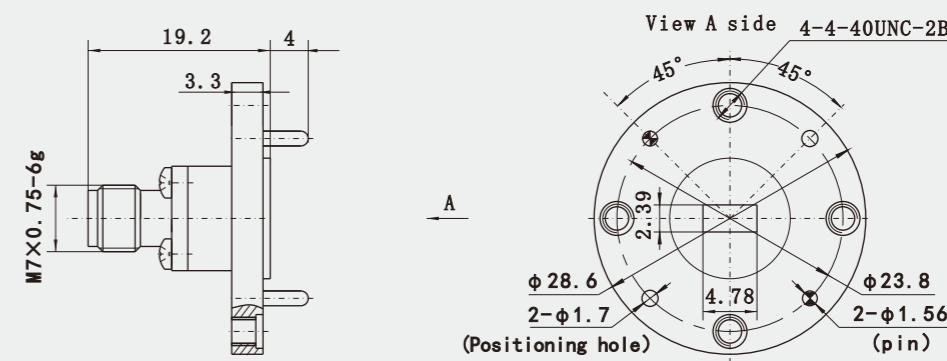


1.85 Series

1.85/BJ500-KFE1

| | |
|-----------------|-----------------|
| Model No. | 1.85/BJ500-KFE1 |
| Waveguide Size | BJ500 (WR18) |
| Frequency Range | 32.9GHz~59.6GHz |
| VSWR | ≤1.4 |
| Insertion Loss | ≤0.45dB |
| Body Geometry | End Launch |

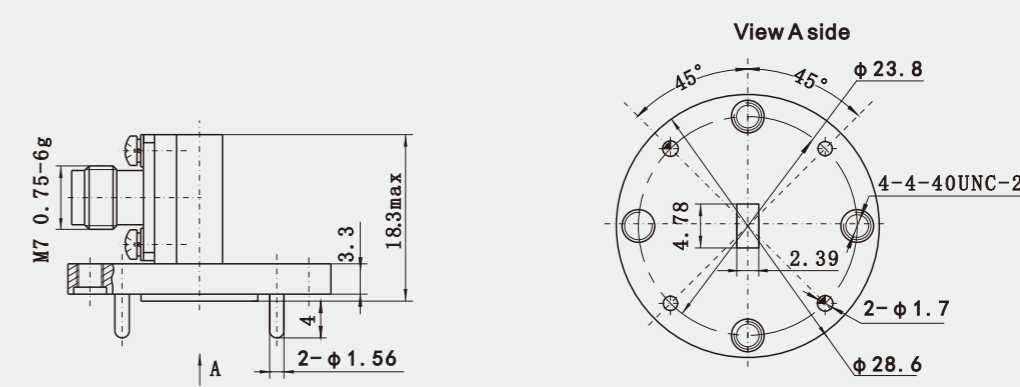
Outline Drawing (mm)



1.85/BJ500-KF4


| | |
|-----------------|-----------------|
| Model No. | 1.85/BJ500-KF4 |
| Waveguide Size | BJ500 (WR18) |
| Frequency Range | 39.2GHz~59.6GHz |
| VSWR | ≤1.4 |
| Insertion Loss | ≤0.45dB |
| Body Geometry | Right Angle |

Outline Drawing (mm)

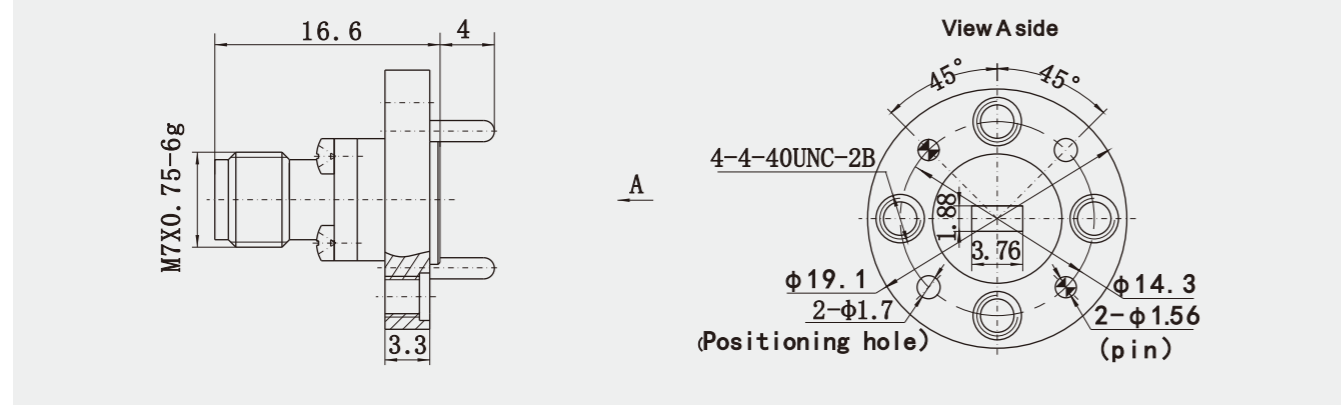


1.85 Series

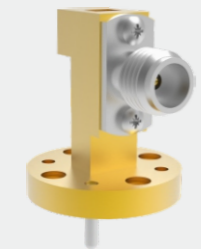
1.85/BJ620-KFE

| | | |
|---|-----------------|----------------|
|  | Model No. | 1.85/BJ620-KFE |
| | Waveguide Size | BJ620 (WR14) |
| | Frequency Range | 50GHz~67GHz |
| | VSWR | ≤1.45 |
| | Insertion Loss | ≤0.8dB |
| | Body Geometry | End Launch |

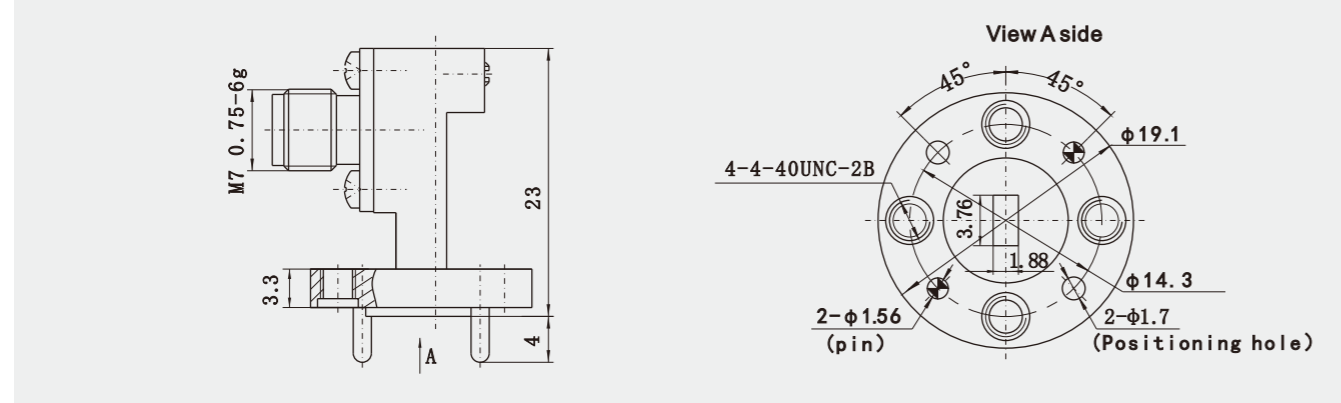
Outline Drawing (mm)



1.85/BJ620-KF


| | | |
|---|-----------------|---------------|
|  | Model No. | 1.85/BJ620-KF |
| | Waveguide Size | BJ620 (WR14) |
| | Frequency Range | 49.8GHz~70GHz |
| | VSWR | ≤1.4 |
| | Insertion Loss | ≤0.5dB |
| | Body Geometry | Right Angle |

Outline Drawing (mm)

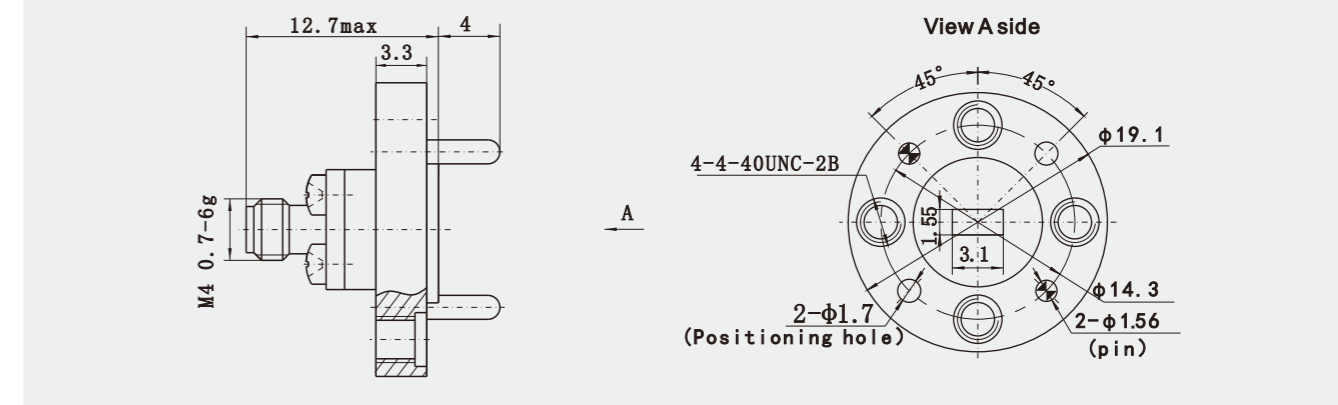


1.0 Series


1.0/BJ740-KFE

| | | |
|---|-----------------|---------------|
|  | Model No. | 1.0/BJ740-KFE |
| | Waveguide Size | BJ740 (WR12) |
| | Frequency Range | 60GHz~90GHz |
| | VSWR | ≤1.45 |
| | Insertion Loss | ≤1dB |
| | Body Geometry | End Launch |

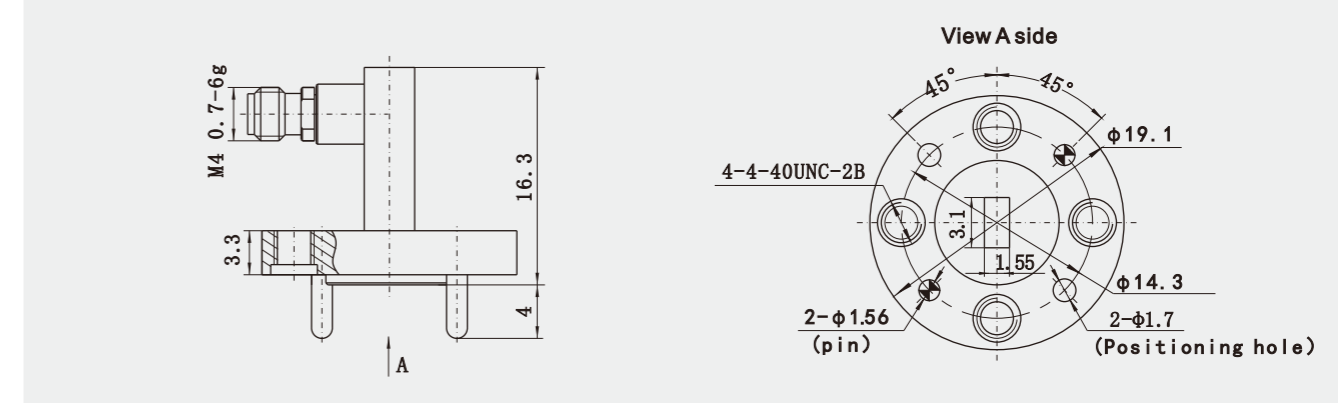
Outline Drawing (mm)



1.0/BJ740-KF

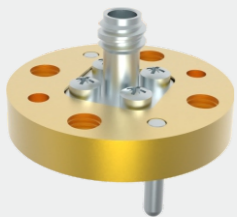
| | | |
|---|-----------------|--------------|
|  | Model No. | 1.0/BJ740-KF |
| | Waveguide Size | BJ740 (WR12) |
| | Frequency Range | 60GHz~90GHz |
| | VSWR | ≤1.45 |
| | Insertion Loss | ≤1dB |
| | Body Geometry | Right Angle |

Outline Drawing (mm)

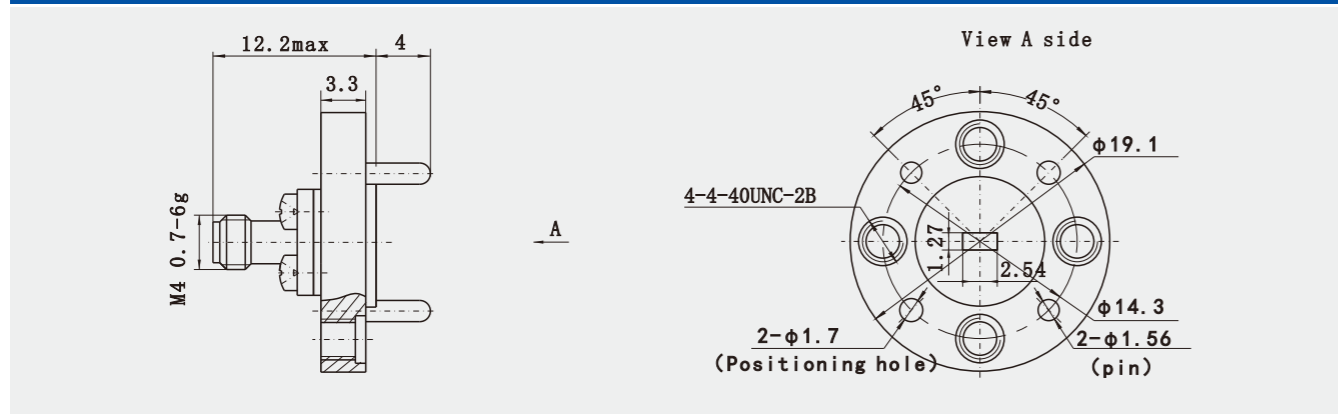


1.0 Series

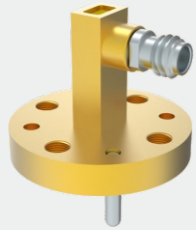
1.0/BJ900-KFE1

| | | |
|---|-----------------|----------------|
|  | Model No. | 1.0/BJ900-KFE1 |
| | Waveguide Size | BJ900 (WR10) |
| | Frequency Range | 74GHz~110GHz |
| | VSWR | ≤1.6 |
| | Insertion Loss | ≤1.2dB |
| | Body Geometry | End Launch |

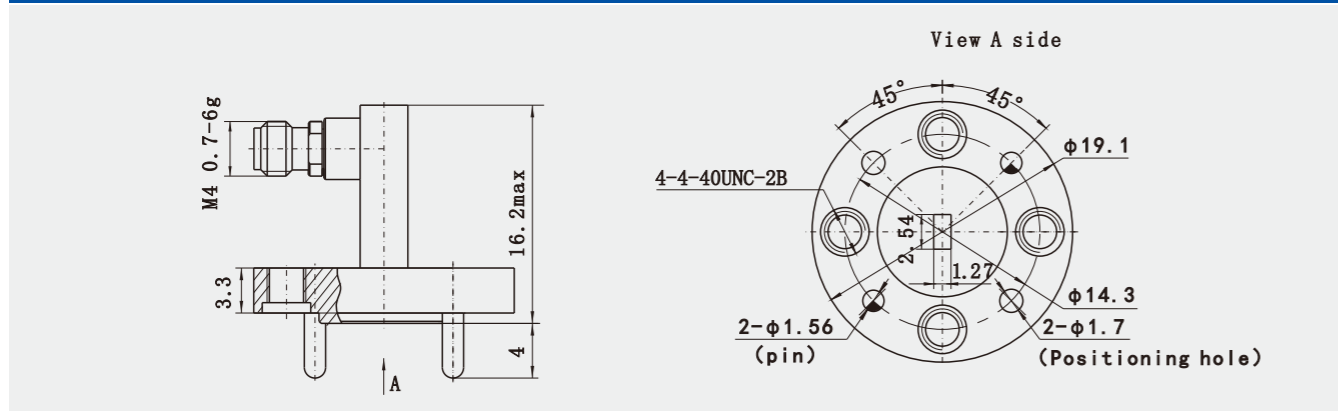
Outline Drawing (mm)



1.0/BJ900-KF

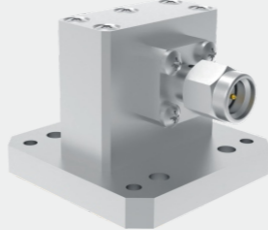
| | | |
|---|-----------------|--------------|
|  | Model No. | 1.0/BJ900-KF |
| | Waveguide Size | BJ900 (WR10) |
| | Frequency Range | 74GHz~110GHz |
| | VSWR | ≤1.5 |
| | Insertion Loss | ≤1.2dB |
| | Body Geometry | Right Angle |

Outline Drawing (mm)

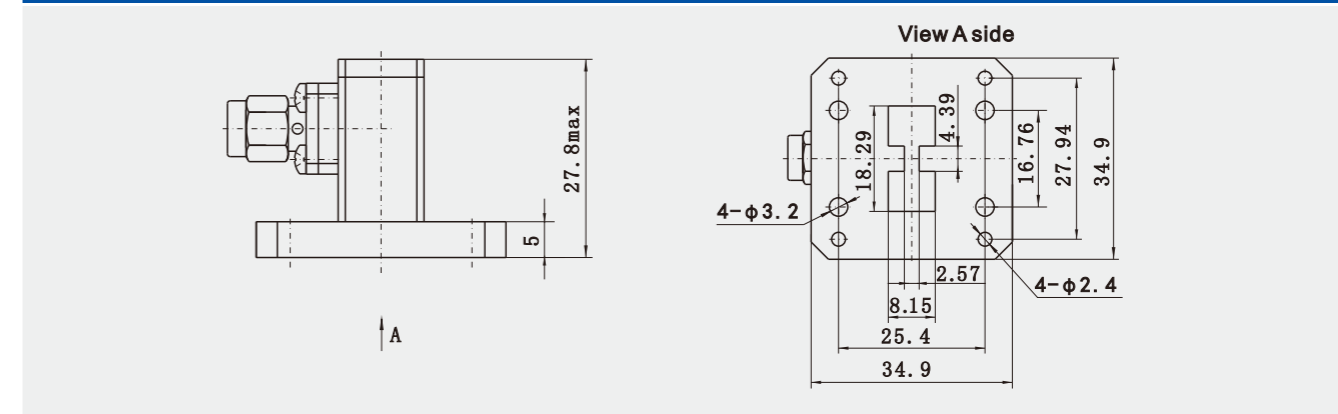


Other Series

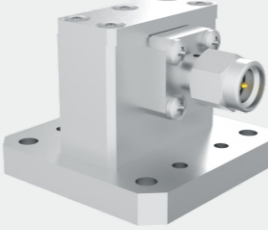
SMA/WRD650-JF

| | | |
|---|-----------------|---------------|
|  | Model No. | SMA/WRD650-JF |
| | Waveguide Size | WRD650 |
| | Frequency Range | 6GHz~18GHz |
| | VSWR | ≤1.4 |
| | Insertion Loss | ≤0.5dB |
| | Body Geometry | Right Angle |

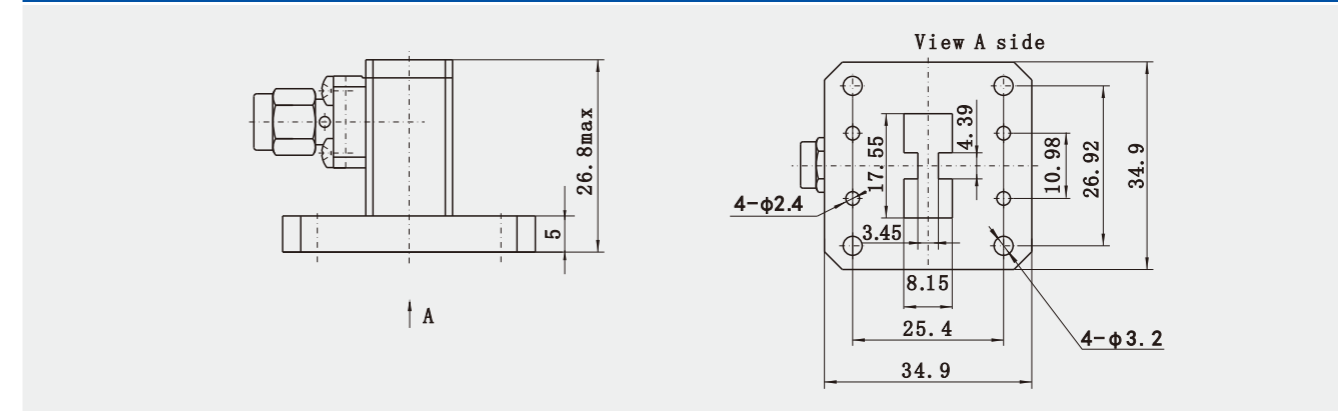
Outline Drawing (mm)



SMA/WRD750-JF

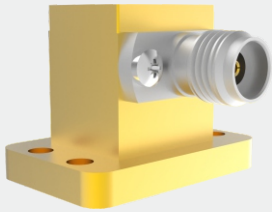
| | | |
|---|-----------------|---------------|
|  | Model No. | SMA/WRD750-JF |
| | Waveguide Size | WRD750 |
| | Frequency Range | 7.5GHz~18GHz |
| | VSWR | ≤1.3 |
| | Insertion Loss | ≤0.4dB |
| | Body Geometry | Right Angle |

Outline Drawing (mm)



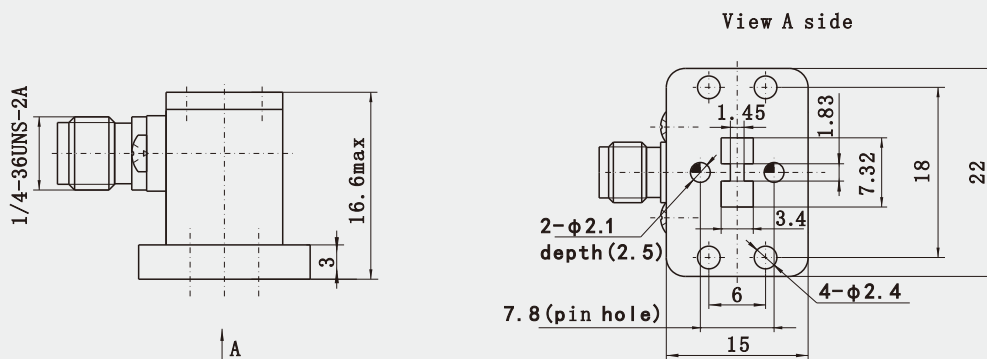
Other Series

K/WRD180-KF



| | |
|-----------------|-------------|
| Model No. | K/WRD180-KF |
| Waveguide Size | WRD180 |
| Frequency Range | 18GHz~40GHz |
| VSWR | ≤ 1.35 |
| Insertion Loss | ≤ 0.4dB |
| Body Geometry | Right Angle |

Outline Drawing (mm)



N/WRD500-KF1



| | |
|-----------------|--------------|
| Model No. | N/WRD500-KF1 |
| Waveguide Size | WRD500 |
| Frequency Range | 6GHz~18GHz |
| VSWR | ≤ 1.45 |
| Insertion Loss | ≤ 0.3dB |
| Body Geometry | End Launch |

Outline Drawing (mm)

